

## Sink Uragano

Kitchen Sinks

Code: 1055 600



### DETAILS

Edge/Installation Type	Flush-mount   Top-mount
Finish	Foster brushed
Material	AISI 304 stainless steel
Texture	Foster brushed
Base	100 cm
Dimensions	983x513 mm
Standard fittings	Fixing hooks, gasket, drain, overflow and siphon, boxed packing
Mixer holes	1 standard hole - 2nd hole on request
Built-in hole	View technical data sheet

Drainer No

---

Width 98 cm

---

Bowl dimension 910x440mm

---

Number of bowls 1 bowl

---

Waste fitting 3,5" drain

---

## FEATURES

**Basket 3,5" waste fitting** The drain is equipped with a large 3.5" drain, with the practical basket cap that prevents the discharge of solid parts.

---

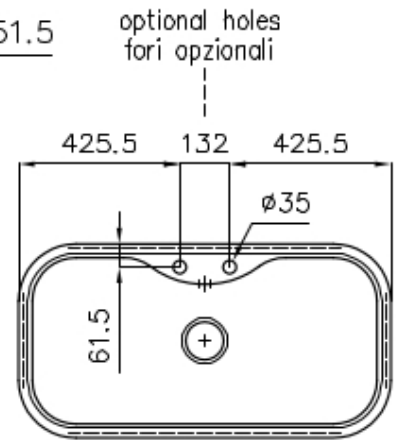
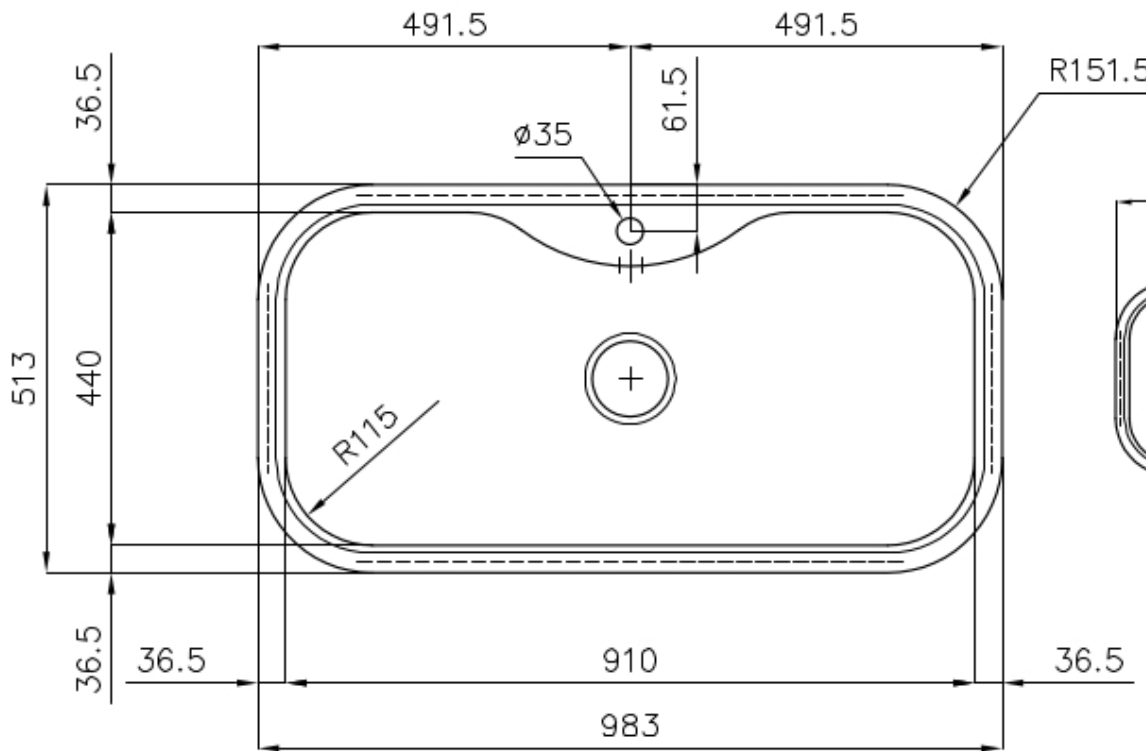
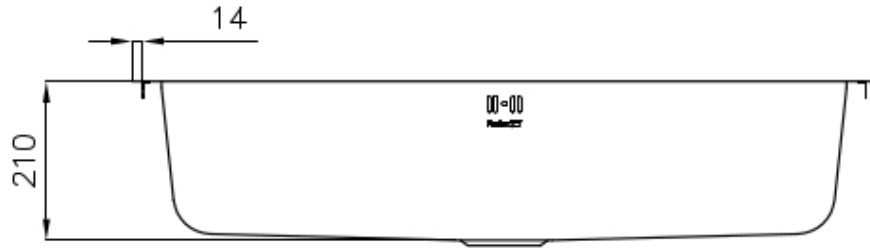
**Deep bowls** This bowls reach an important depth, over 20 cm, thanks to the advanced production technology, that can be offer great capieny and practicity in all the washing operations.

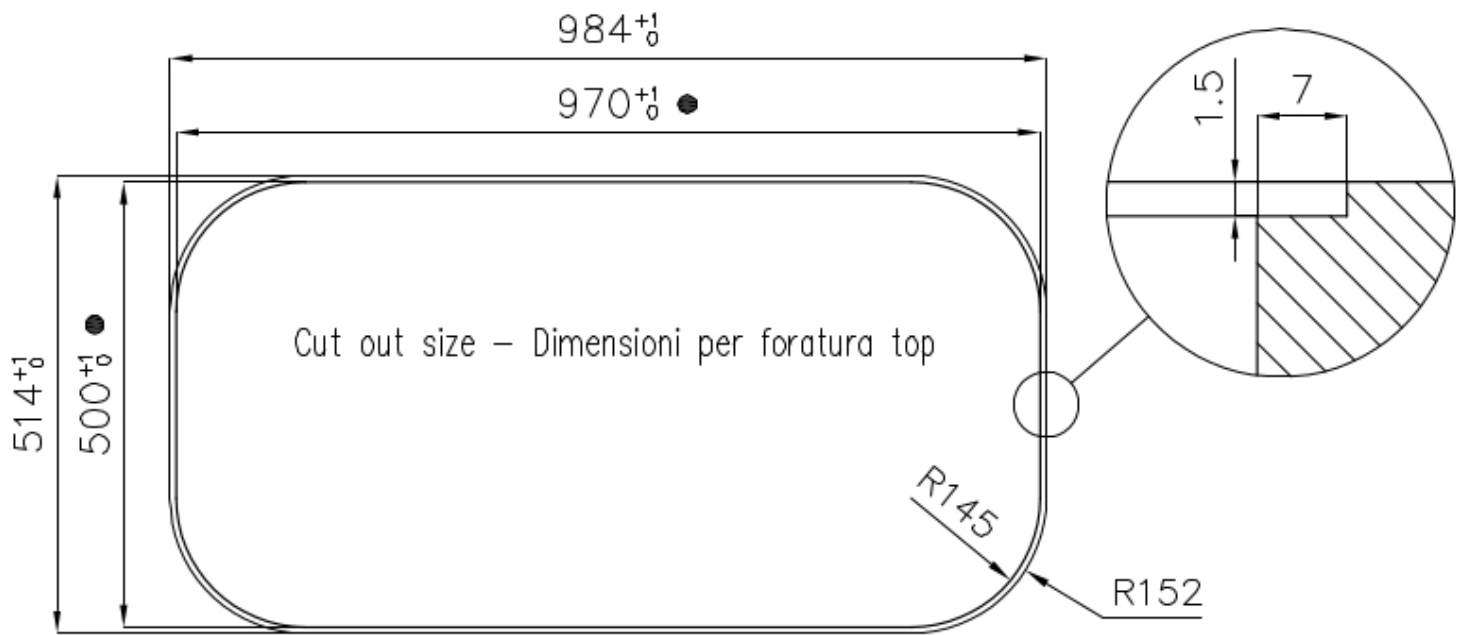
---

**High thickness** 1mm thick steel. A significant thickness, which guarantees the maximum sturdiness and durability.

---

## TECHNICAL DATA





- Built-in cut out for FTS – Foratura per installazione FTS

## GALLERY



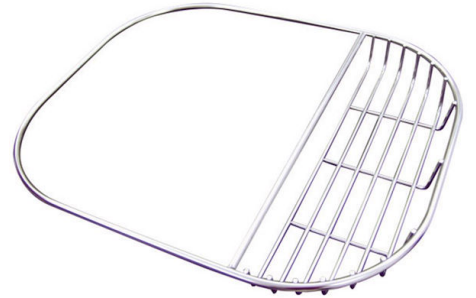
## OPTIONAL ACCESSORIES



**Iroko-wood chopping board**  
8659 112



**Iroko-wood twin chopping board**  
8644 003



**Stainless steel bowl-holder ring**  
8100 112



**Stainless steel plate rack**  
8100 154



**Stainless steel plate rack**  
8100 111



**Vaschetta bianca**  
8152 100  
\* only in combination with the accessory  
8100 112



**White colander**  
8151 100

## RECOMMENDED PAIRINGS



**Mixer Tap KS Plus**  
8522 000



**Mixer Tap Magnum**  
8484 000